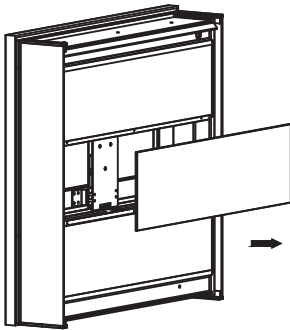
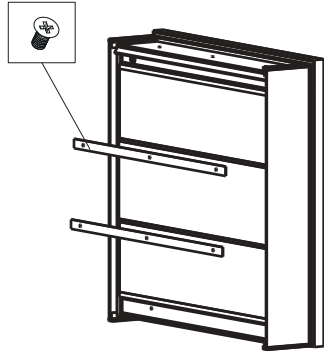


LED driver and LED strip removal instruction manual

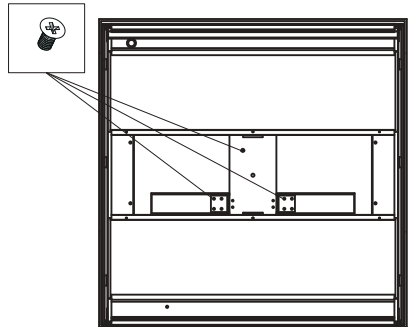
This product contains a light resource of energy efficiency class <F>.

1. Remove the LED strip

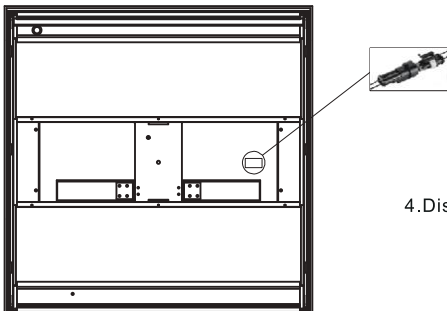
1. The cabinet back , remove the screws connecting the cabinet to the back plate.



2. Remove the back plate.

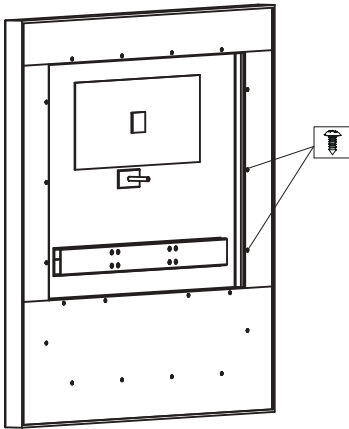
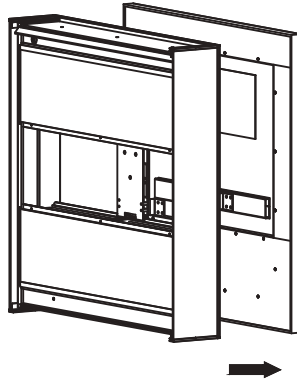


3. Remove the screw connecting the cabinet to the door.



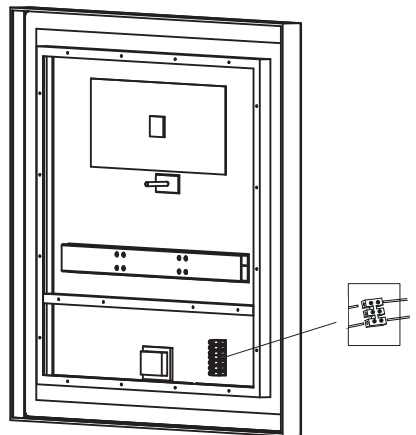
4. Disconnect the male and female plug connectors.

5. Take out the cabinet



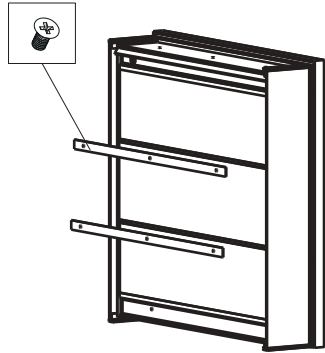
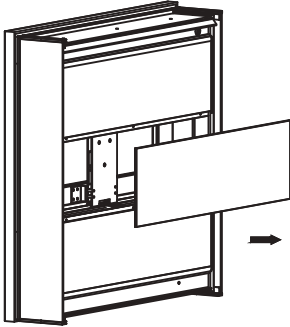
6 .Remove the screw connecting the door to the back plate on the door,take out the back plate .

7. Remove the led strip cable from the terminal station and take out the LED strip.

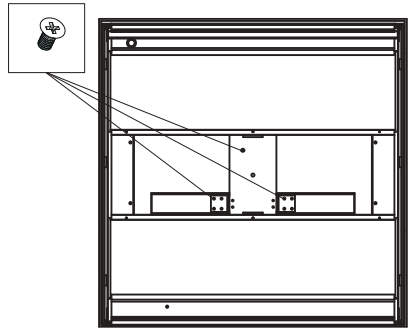


2. Remove the driver

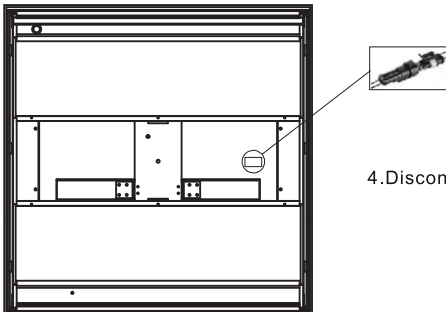
1. The cabinet back , remove the screws connecting the cabinet to the back plate.



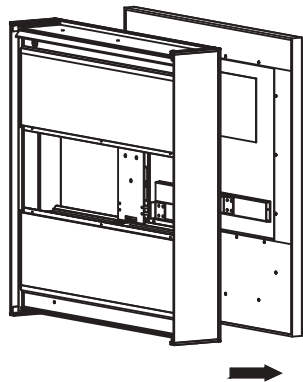
2. Remove the back plate.



3. Remove the screw connecting the cabinet to the door.

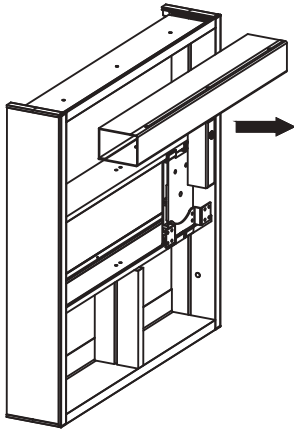
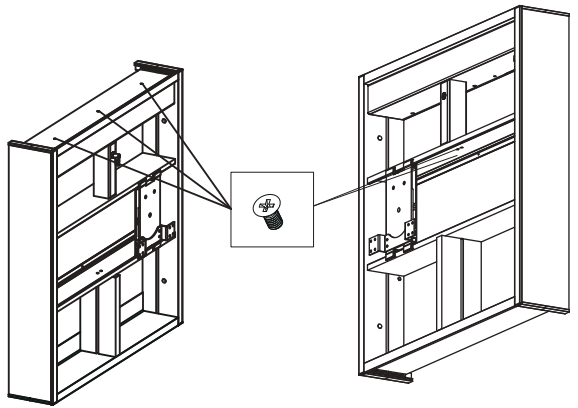


4. Disconnect the male and female plug connectors.

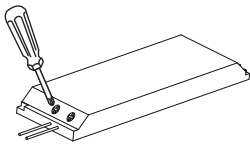


5. Take out the cabinet

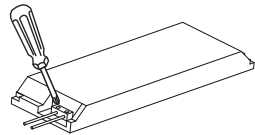
6. Remove the screw on electrical box of the cabinet



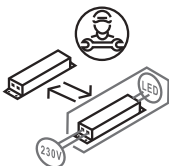
7. Take out the electrical box.



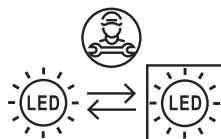
9. Unscrew both ends of the led driver cover.



10. Remove the wires at both ends of the led driver, Unscrew the led driver base.



Replaceable control gear
by a professional



Replaceable (LED only)
light source by a professional